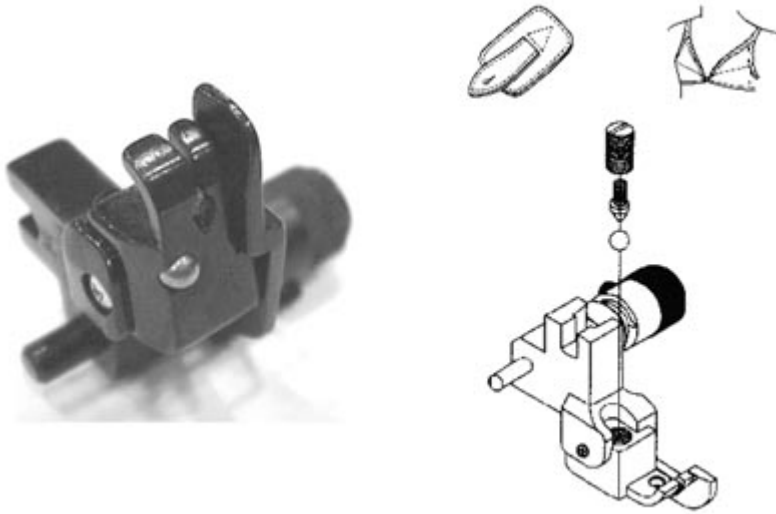


Guiding Feet

FKHP29



Ball presser and Compensating Guide designed for circular and curvy stitching. Ball pressure is adjustable. Ball Presser Feet for Single Needle

FSP8103F



Edge Guiding Feet

FSP8103G



Edge Guiding Feet

FP810 ~ FP818



Right Hinged Raising Feet
 FP810: 1/32 FP811: 1/16
 FP812: 1/8 FP813: 3/16
 FP814: 1/4 FP815: 5/16
 FP816: 3/8 FP818: 1/2

FP810L ~ FP818L



Left Hinged Raising Feet
 FP810L: 1/32 FP811L: 1/16
 FP812L: 1/8 FP813L: 3/16
 FP814L: 1/4 FP815L: 5/16
 FP816L: 3/8 FP818L: 1/2

FP10 ~ FP18



Top Stitch Guide Feet
 FP10: 1/32 FP11: 1/16
 FP115: 3/32 FP12: 1/8
 FP13: 3/16 FP14: 1/4
 FP15: 5/16 FP16: 3/8
 FP18: 1/2

FSP-18



Feet with Right Compensating Guide for Heavy Duty
Size: 1/16, 3/32, 3mm, 1/8, 7/32, 3/16, 1/4, 5/16, 3/8, 7/16, 1/2

FSP-18L



Feet with Left Compensating Guide for Heavy Duty
Size: 1/16, 1/4

FSP-25



Feet with Double Right Compensating Guide
Size Adjustable to:
1/16 & 5/16

FP723



Deluxe Hinged Quilter Feet

FP801



Quilter Feet

FP803



Quilter Feet