


Zigzag Edge Guiding or Compensating Feet

<p style="text-align: center;">107-4L</p>  <p style="text-align: right;">\$35</p> <p style="text-align: center;">Presser Feet Width : 18mm</p>	<p style="text-align: center;">107-5L</p>  <p style="text-align: right;">\$35</p> <p style="text-align: center;">Presser Feet Width : 13.3mm</p>
--	---

<p style="text-align: center;">107-6L</p>  <p style="text-align: right;">\$35</p> <p style="text-align: center;">Presser Feet Width : 11.6mm</p>	<p style="text-align: center;">107-CL</p>  <p style="text-align: right;">\$35</p> <p style="text-align: center;">Left Compensating Feet</p>
---	---

<p style="text-align: center;">107-DL</p>  <p style="text-align: right;">\$36</p> <p style="text-align: center;">2 Step Left Compensating Foot</p>	<p style="text-align: center;">107-DR</p>  <p style="text-align: right;">\$36</p> <p style="text-align: center;">2 Step Right Compensating Foot</p>
--	--

107SGL



\$38

Left Compensating Guide

107SGR



\$38

Right Compensating Guide

457-CL



\$38

Left Compensating Guide

457-CR



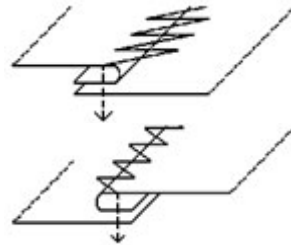
\$38

Right Compensating Guide



\$45

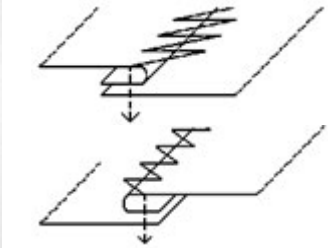
266125



Moving Compensating
Stitches cover on the joining section.



266125M

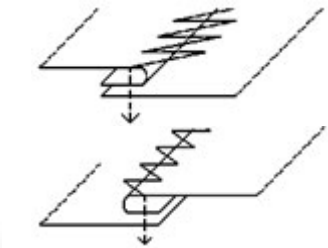


Moving Compensating
Stitches cover on the joining section.

\$45

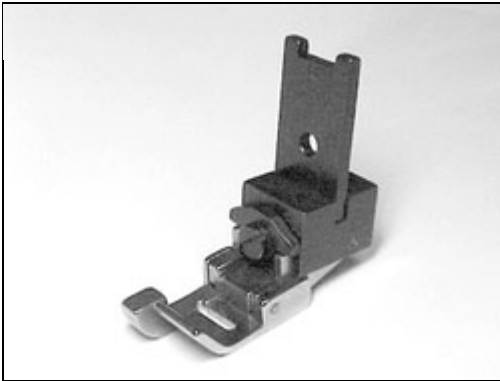


266125K

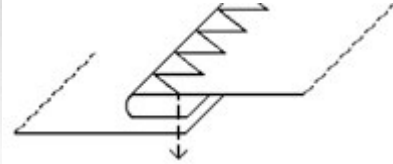


Moving Compensating
Stitches cover on the joining section.

\$45



3706

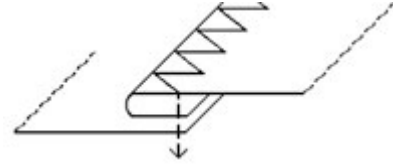


Left Moving Compensating
Stitches on the top layer

\$45




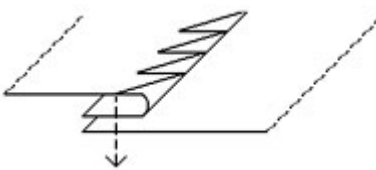
3706K



Left Moving Compensating
Stitches on the top layer

\$45


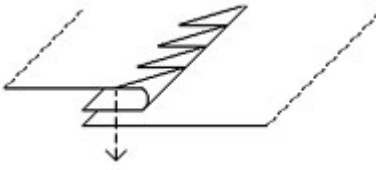
3707

Right Moving Compensating
Stitches on the top layer

\$45

3707K

Right Moving Compensating
Stitches on the top layer

\$45

23768



with Center Guide
\$46

GB107



Edge Guide
\$28